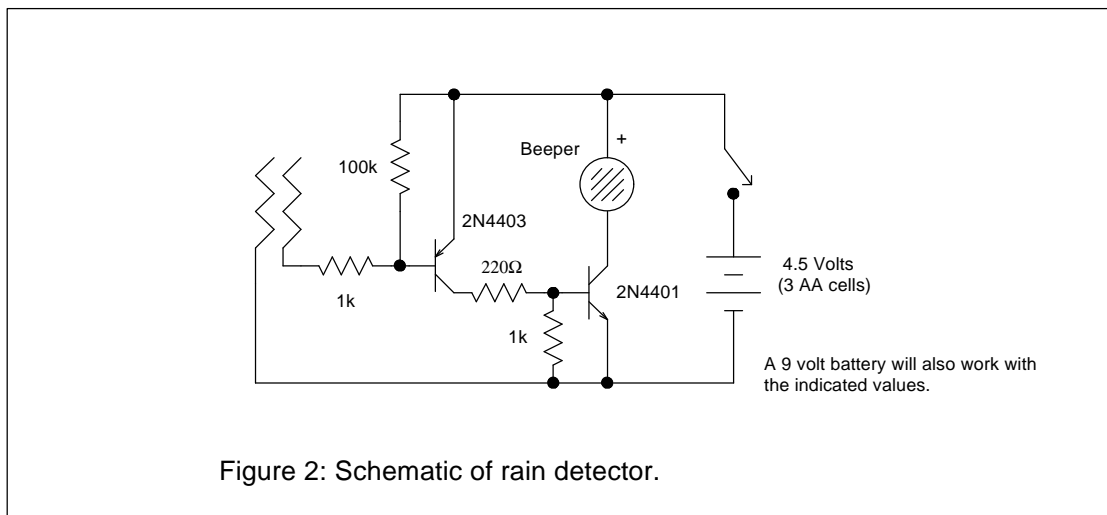
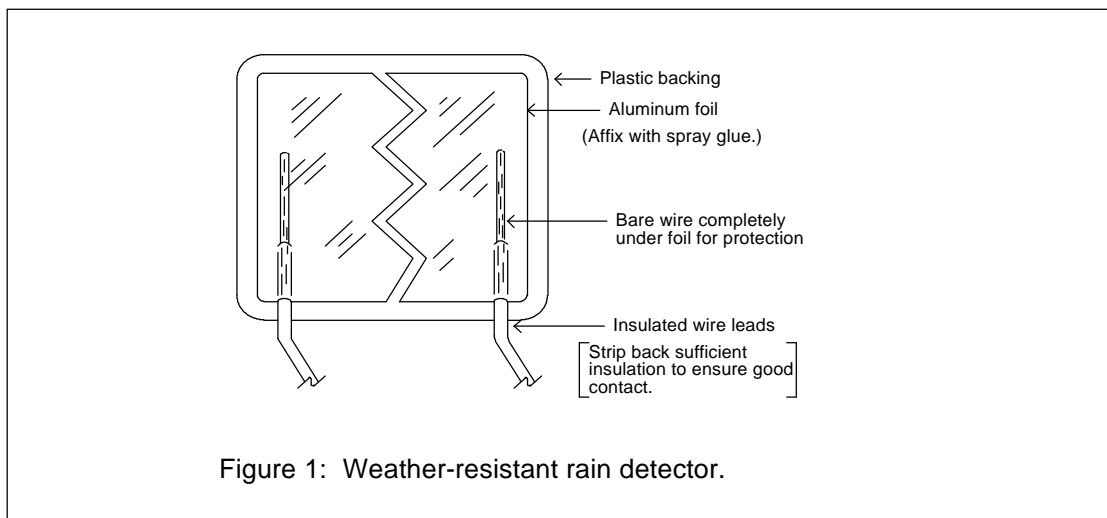


Rain Detector

It may sound silly at first. After all, how hard is it to look outside to see if it is raining. But if you start to pay attention, you will be surprised how often you miss the start of a rain storm. With this simple rain detector, the first few drops of rain will sound the alarm allowing you a few precious seconds to roll up windows and bring in possessions. When used as part of a computer weather data collection system, the exact time of a shower may be recorded.

Fig.1 shows a simple rain detector consisting of two strips of aluminum foil glued to a piece of plastic. A single square of foil is glued to the plastic with two lead wires underneath as shown in the figure. The lead wires are striped back so that the foil makes good electrical contact with the conductors but the bare wire should not protrude so that the foil will protect the wire from corrosion.



A narrow zig-zag gap is cut in the foil to electrically separate the two lead wires. The rain drops bridge the gap causing conduction which is sensed by the circuit shown in fig. 2.